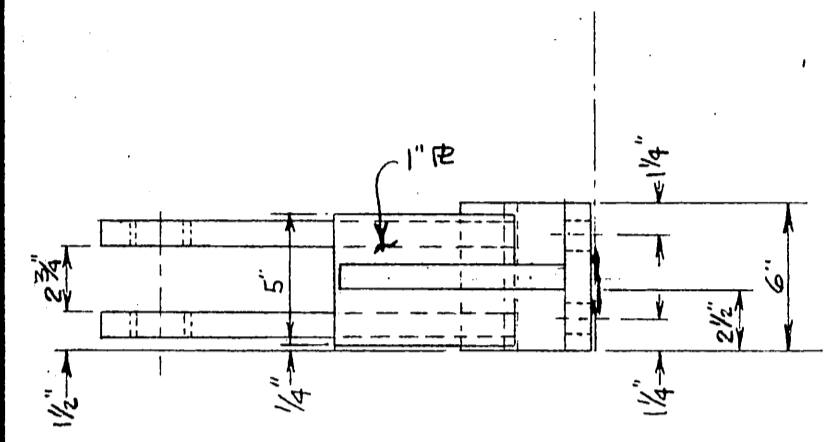
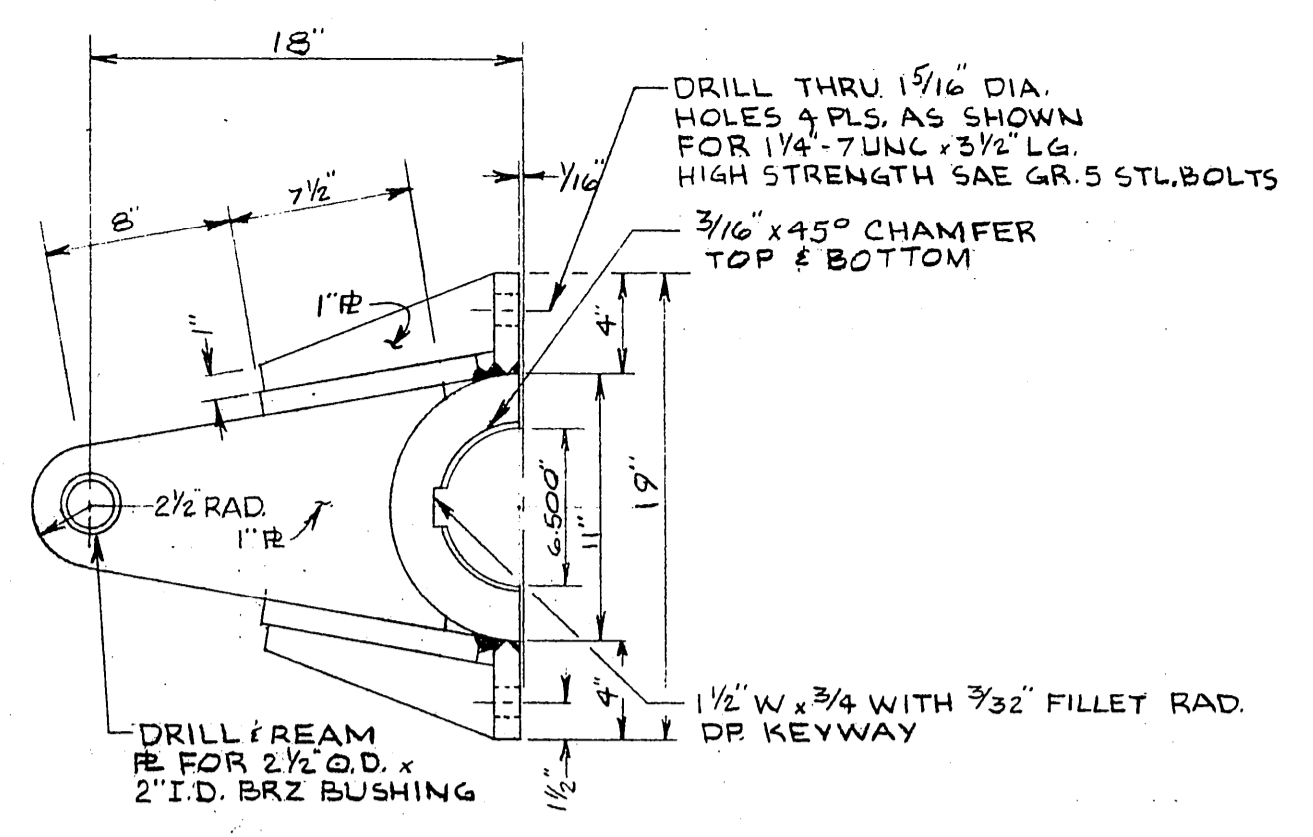
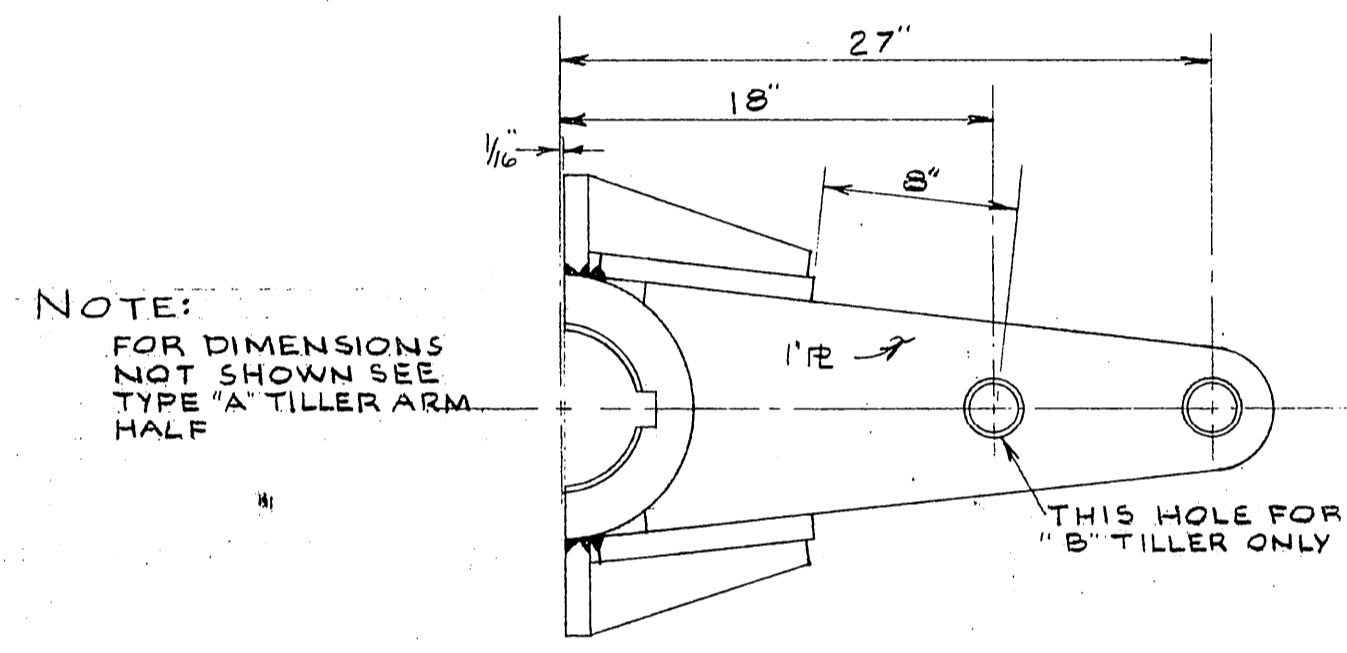


REV. MK.	DESCRIPTION	BY	DATE	APPROV.

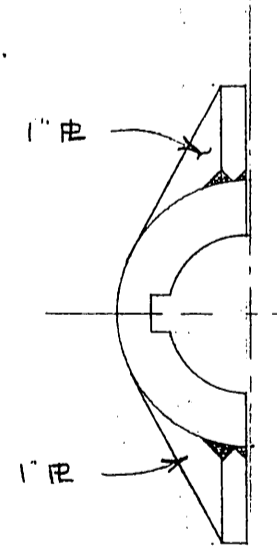
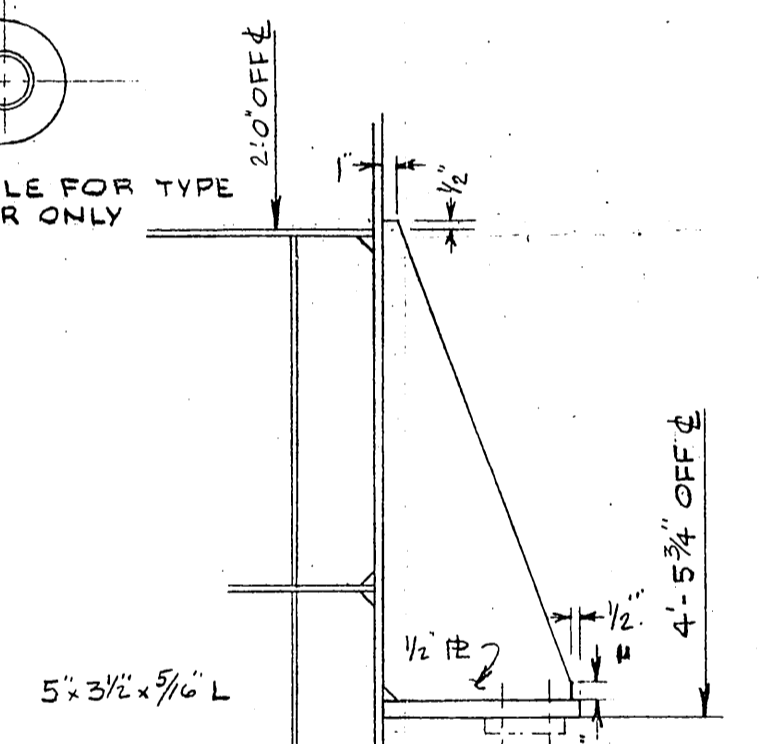


TYPE "A" TILLER ARM HALF
3 REQ'D.

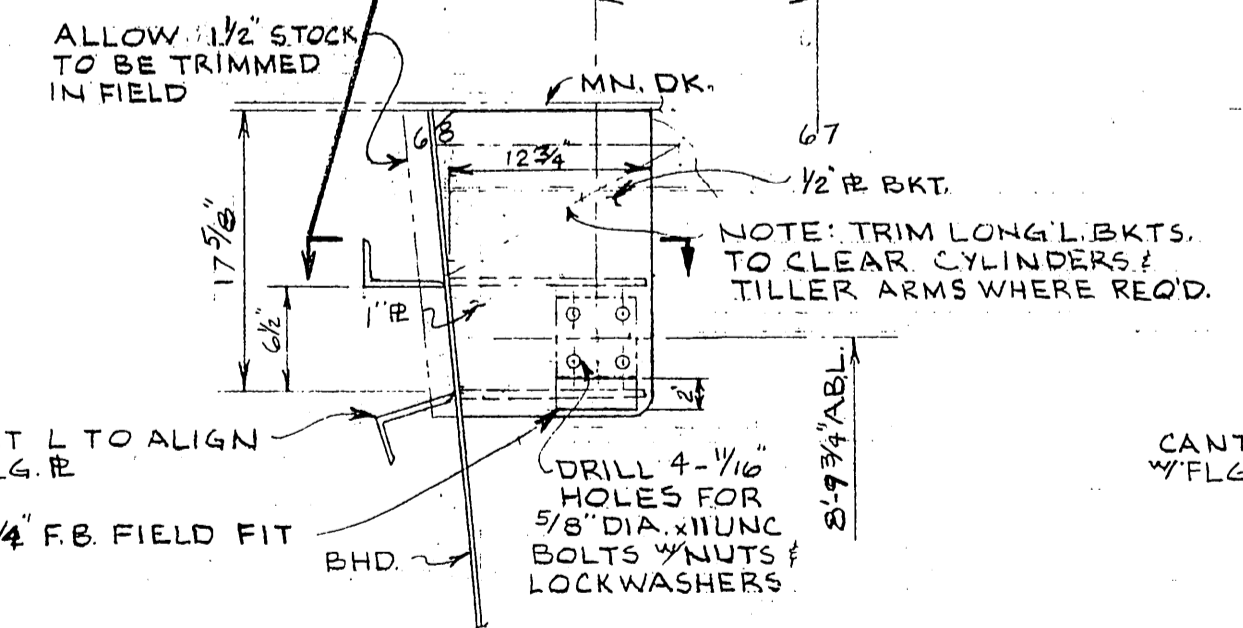


NOTE:
FOR DIMENSIONS NOT SHOWN SEE TYPE "A" TILLER ARM HALF

TYPE "B" TILLER ARM HALF
1 REQ'D.
TYPE "D" TILLER ARM HALF
SIM. EXCEPT AS NOTED
1 REQ'D.

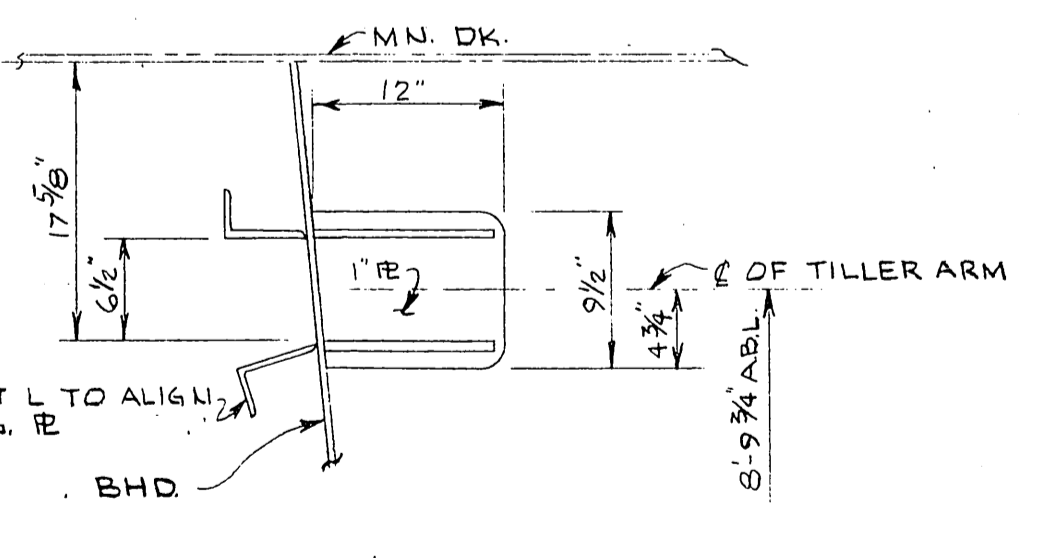
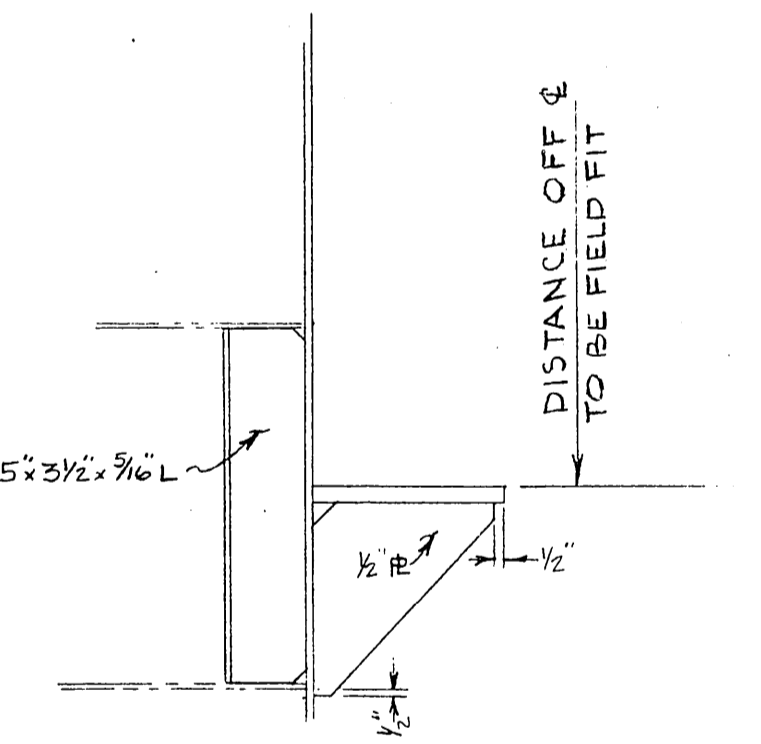


NOTE:
FOR HUB DIMENSIONS NOT SHOWN SEE TYPE "A" TILLER ARM HALF

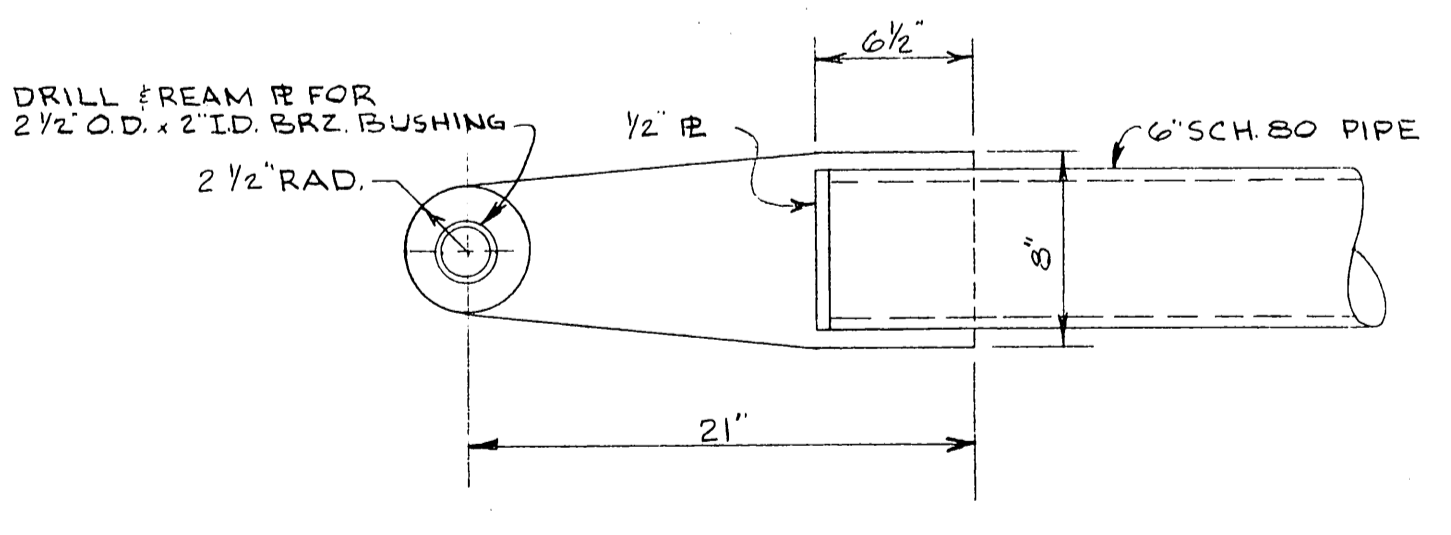
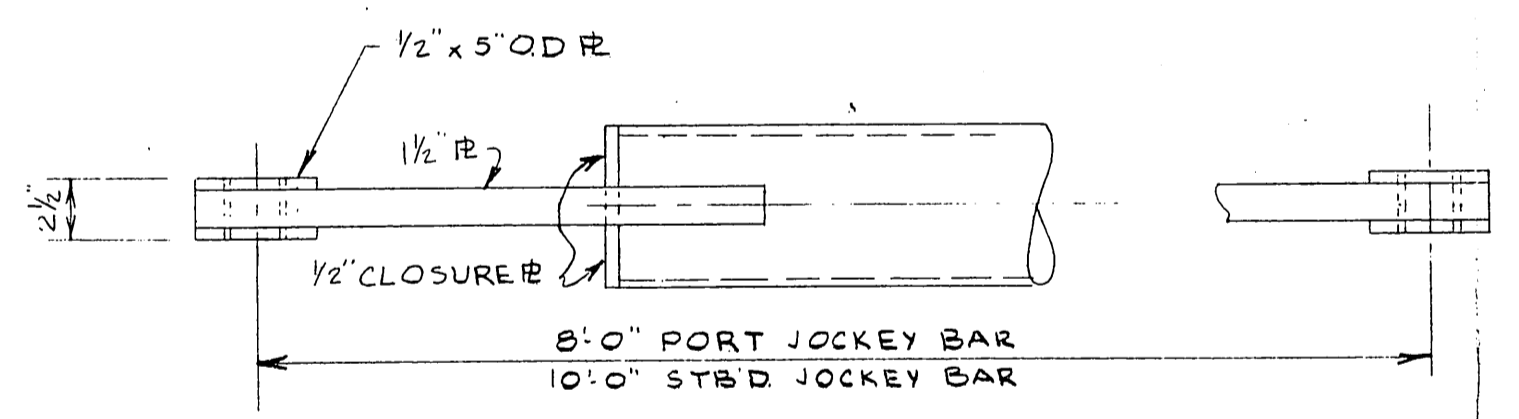


TYPE "C" TILLER ARM HALF
1 REQ'D.

RAM SUPPORT
STB'D SHOWN PORT SIM.
1" : 1' 0"



RUDDER STOP
STB'D SHOWN PORT SIM.
1" : 1' 0"



JOCKEY BAR END

PRELIM

DESIGN ASSOCIATES, INC.
NAVAL ARCHITECTS MARINE ENGINEERS
NEW ORLEANS, LA.

TIDEWATER MARINE SERVICE

143' x 36' x 10' SEISMIC VESSEL

RUDDER ARRANGEMENT & DETAILS

Drawn: B. James	Date:	Checked:
Traced:	Date:	Checked:
Aprvd:	Date:	Scale: 1/2" = 1' 0"
Sheet 2 Of 2	Drawing No. C-2062-11	Revision Mark.